

SPEAKMAN®

GravityFlo® Portable Eyewash

SE-4400

SPECIFICATION



FEATURES:

- Portable gravity-operated eyewash
- 9 gallon capacity tank
- Pull-down activation tray
- Hands-free operation
- Shelf, table or wall mount (bracket included)
- Molded plastic sprays
- Plastic fill cap with integral tamper prevention

COMPLIANCE:

- Certified to ANSI Z358.1

OPTIONS:

ADD SUFFIX TO MODEL #

- Water preservative (case of 4 2oz. bottles) SE-4210
- Cart to transport SE-4300 series eyewashes SE-4360

WARRANTY:

- 3 year limited

SEE REVERSE FOR ROUGH-IN DIMENSIONS

THIS SPACE FOR ARCHITECT/ENGINEER APPROVAL.

SPEAKMAN®

400 ANCHOR MILL ROAD | NEW CASTLE, DE 19720
P: 800-537-2107 | F: 800-977-2747
WWW.SPEAKMANCOMPANY.COM

REVISION DATE: JANUARY 2014

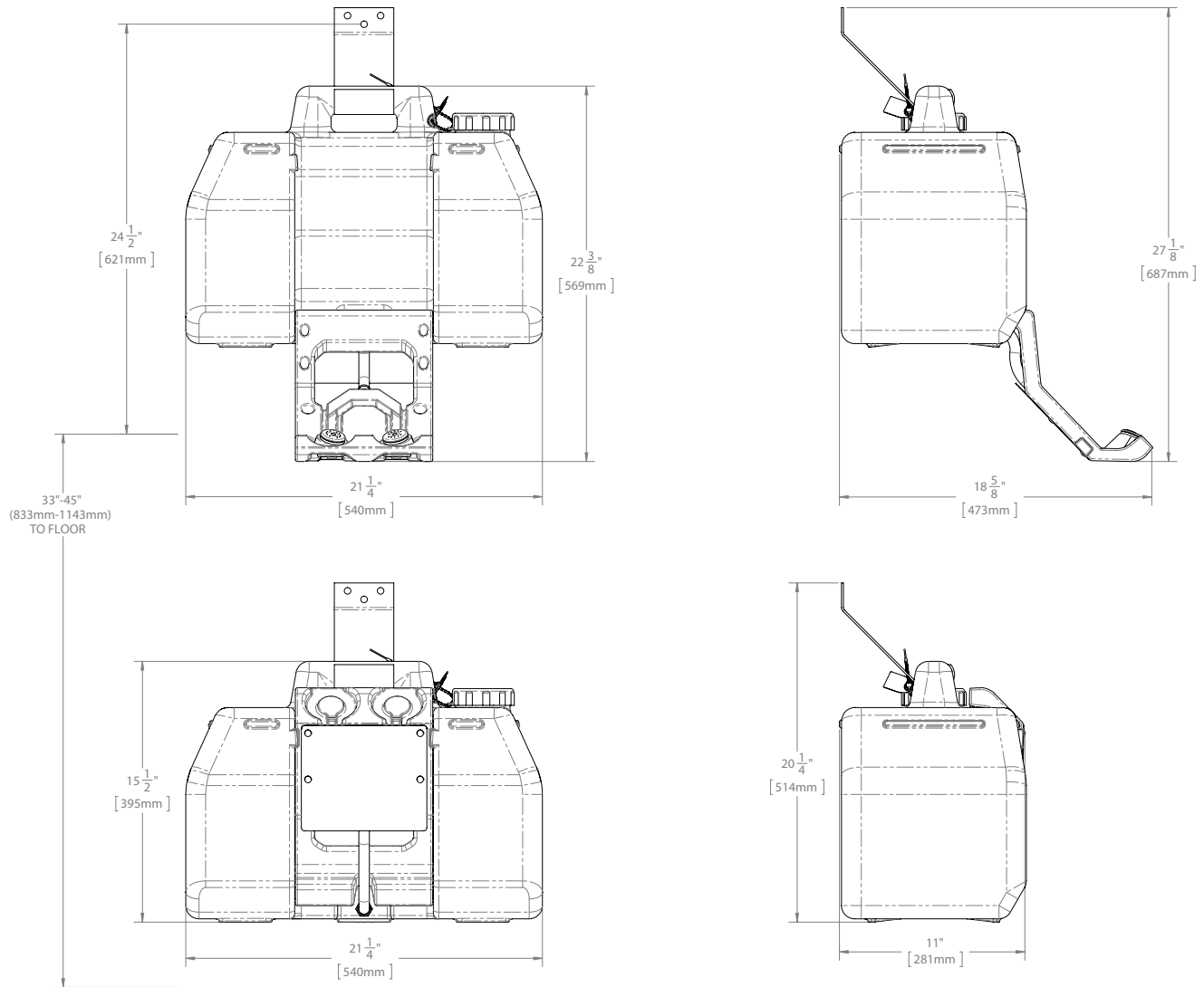


Management Systems
Registered to ISO 9001

SPEAKMAN®

GravityFlo® Portable Eyewash SE-4400

SPECIFICATION



NOTE: 1. All dimensions are in inches (millimeters) unless otherwise specified and are subject to change without notice.

THIS SPACE FOR ARCHITECT/ENGINEER APPROVAL.

SPEAKMAN®

400 ANCHOR MILL ROAD | NEW CASTLE, DE 19720
 P: 800-537-2107 | F: 800-977-2747
 WWW.SPEAKMANCOMPANY.COM



Management Systems
 Registered to ISO 9001

REVISION DATE: JANUARY 2014